

Safe Patient Handling



**TM8
TRIAGE PROCEDURE
CHAIR PACKAGE
WITH INTEGRATED
PATIENT SCALE**



One Patient, One Surface™ from admission to discharge.

Making a patient comfortable is not enough. Patient handling equipment must also address staff and patient safety.

With motorized positioning, integrated scale and radiolucent back, the TM8 can eliminate patient transfer and manual positioning during their entire stay in the emergency room thereby reducing staff injury and patient fall risk and improving throughput.



WWW.TRANSMOTIONMEDICAL.COM

866-860-8447 • info@transmotionmedical.com
Sharon Center, OH

TM8 TRIAGE PROCEDURE CHAIR PACKAGE WITH INTEGRATED PATIENT SCALE

Standard Triage Package

DIGITAL SCALE

X-RAY CASSETTE HOLDER

LAP BELT

O₂ TANK HOLDER

FOOT REST PAD

HEAD PILLOW

ARM BOARD

I.V. POLE



ADMISSION



Features

- 1 INTEGRATED SCALE** with 500 lb/227 kgs patient weight capacity. Convenient hand-held scale with read-out panel that stores in back of the chair and permits staff to record patient weight while seated or reclined.
- 2 EXCEPTIONAL PATIENT POSITIONING** accomplished by hand-held pendant that features an auto-contour button which automatically positions the chair from seated to the fully reclined position.
- 3 EXTRA WIDE 28" X 77" PATIENT SURFACE CUSHIONS** with memory foam for enhanced comfort.
- 4 A LOW 25" SEAT HEIGHT AND PADDED SIDE RAILS** that swing down and tuck away making patient ingress and egress easier and safer.
- 5 FULL RADIOLUCENT BACK SECTION** allows for X-rays, fluoroscopic and C-arm procedures. Self-storing push bars swing away for unobstructed radiologic views of patient.
- 6 BATTERY** replacement is quick and easy. Two battery packs come with each chair allowing one battery to always be charging. Includes wall mount charger.
- 7 AUTO-EXTENDING FOOT REST** improves patient comfort in all positions.
- 8 MANUAL QUICK RELEASE BACKREST** for emergency CPR function.
- 9 EASY MOBILITY** four wheel brake and steer caster system.
- 10 ALL METAL SURFACES** and chrome rails for a long durable life.

Positioning Pendant



POSITION



TRANSPORT



TREATMENT



DISCHARGE



One Patient, One Surface,[™]
from admission to discharge.

Staff does not lift or
transfer the patient!

TM8

CHAIR PACKAGE INCLUDES:

OPTIONS

- W - Wide Seat
- (T - Tall Column)
- Q - Scale
- B - Battery

ACCESSORIES

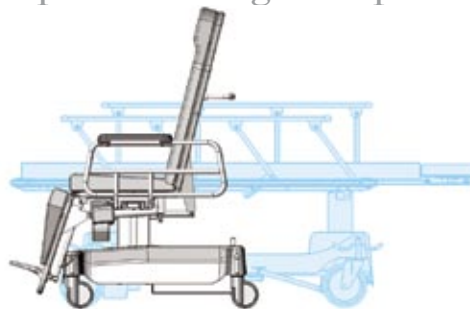
- Head Pillow
- Cassette Holder
- I.V. Pole
- Lap Belt
- Arm Board
- O₂ Holder
- Foot Rest Pad

TMM4-WQB
(OR WTQB)
STRETCHER-CHAIR



SCALE

Space Saving Footprint



TMM FOOTPRINT

TYPICAL STRETCHER FOOTPRINT

General Specifications

	MODEL TM8	MODEL TM8(T)
SEAT HEIGHT - HIGH	33"/83 CM	40"/101 CM
SEAT HEIGHT - LOW (TOP OF CUSHION)	25"/63 CM	24"/61 CM
SEAT HEIGHT - LOW (BELOW CUSHION)	21"/53 CM	20"/51 CM
PATIENT SEAT WIDTH	28"/71 CM	28"/71 CM
PATIENT SURFACE LENGTH	77"/196 CM	77"/196 CM
OVERALL WIDTH	34"/86 CM	34"/86 CM
OVERALL CHAIR HEIGHT - HIGH	62"/157 CM	70"/178 CM
OVERALL CHAIR HEIGHT - LOW	54"/137 CM	54"/137 CM
MAX PATIENT WEIGHT	500 LBS/227KG	
BACK SECTION ARTICULATION	-5° - 70°	
TRENDELENBURG	5°	
SIDE RAILS - HEIGHT	13"/33 CM	
SIDE RAILS - LENGTH	26"/66 CM	
CHARGING SYSTEM		
INPUT - VOLTS	100-240V A/C	
-CURRENT	1.0A (MAX)	
-FREQUENCY	50/60 HZ	
OUTPUT	+24V D/C 1.5A	
MAX POWER	36.0W	
CUSHION FLAMMABILITY RATING	TB-117	



HEAD PILLOW



CASSETTE HOLDER



I.V. POLE & LAP BELT



ARM BOARD FOR SEATED POSITION



O₂ TANK HOLDER



FOOT REST PAD

OPTIONAL ACCESSORIES

also available for purchase. Example:



HEEL STIRRUPS

* Cushion fabric for packages available in 4-way stretch, Fushion Blue only.

WWW.TRANSMOTIONMEDICAL.COM



1441 WOLF CREEK TRAIL
P.O. BOX 302 · SHARON CENTER, OH 44274
PHONE: 866-860-8447 · 330-239-4192
FAX: 330-590-8111
INFO@TRANSMOTIONMEDICAL.COM

Scale (Q) Specifications

- SCALE READOUT DISPLAY: HAND-HELD W/ COIL CORD
- SCALE WORK LOAD: 500 LBS/227 KGS
- ACCURACY: 0.2% OF PATIENT WEIGHT OR 0.2 LB WHICHEVER IS GREATER
- REPEATABILITY: 0.2% OF PATIENT WEIGHT OR +/-0.2 LB WHICHEVER IS GREATER
- WEIGHS FROM 25 LBS TO 500 LBS IN SEATED OR SUPINE POSITIONS
- FOR THE MOST ACCURATE READING OF PATIENT'S WEIGHT, PLACE THE UNIT IN THE SEATED, UPRIGHT POSITION.
- DISPLAY RESOLUTION: 0.1 LB/0.1 KG
- DISPLAY TYPE: 16 CHARACTER DOT MATRIX LCD
- DISPLAY MODES: POUNDS/KILOGRAMS/WEIGHT
- SCALE READOUT STORAGE: VINYL COATED BRACKETS ON BACK OF CHAIR
- POWER SUPPLY: STANDARD 9V BATTERY. REPLACE BATTERY ANNUALLY.



ISO 9001:2008 CERTIFIED
PATENTED